

Truck-Crane Railroad Grapples

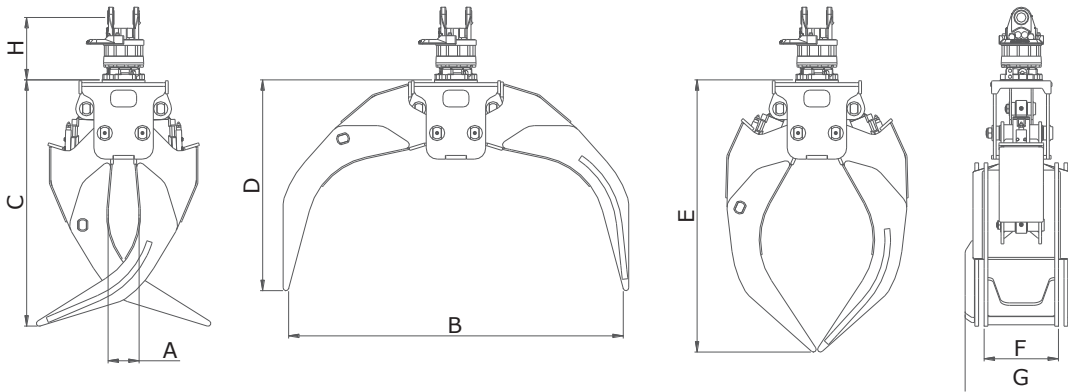
Moley Magnetics Inc. offers the best deal, materials & warranty on Railroad Grapples as our grapples have an industry best 24-month warranty.



- 24-Month Warranty
- Fully Protected Cylinders
- Indexator Rotators
- Hardened Bushings
- Heavier Duty Body Construction
- Multiple Pinned Tines
- Double Acting Safety Valves
- 6 Sizes Available

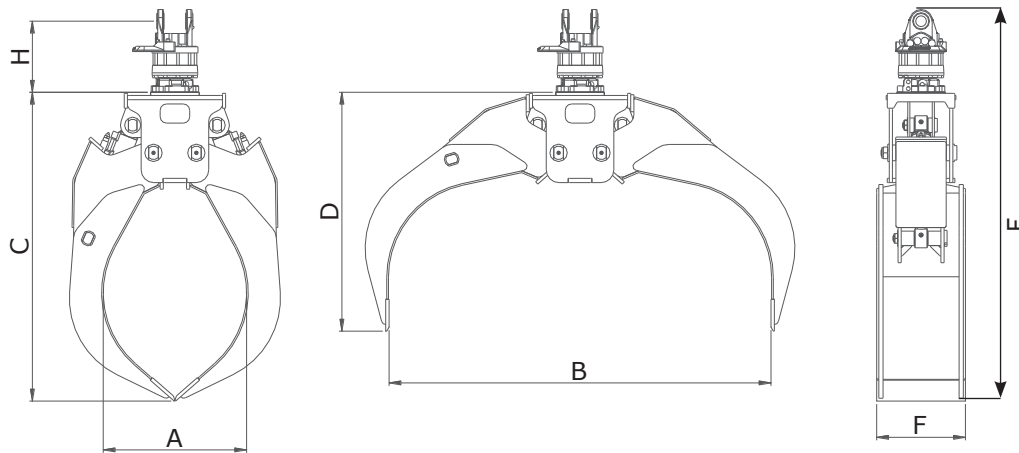
Truck-Crane Railroad Grapples (Con't)

MPB Bypass Style



MODEL	WEIGHT LBS.	CYLINDERS N	SIZES (in.)								LOAD CAPACITY T	FORCE T	PRESSURE PSI	
			A	B	C	D	E	F	G	H			CLOSE	OPEN
MPB 2 U	926	2	3	71	52	44	57	16	23	13	2.2	1.8	4336	4046

MPB Butt Style



MODEL	WEIGHT LBS.	CYLINDERS N	SIZES (in.)								LOAD CAPACITY T	FORCE T	PRESSURE PSI	
			A	B	C	D	E	F	H	CLOSE			OPEN	
MPB 1 C	827	2	24	60	49	39	62	16	23	2.2	2.2	4336	4046	
MPB 2 C	871	2	27	71	57	44	70	16	23	2.2	1.1	4336	4046	
MPB 3 C	915	2	28	79	62	48	75	16	23	2.2	1.1	4336	4046	