

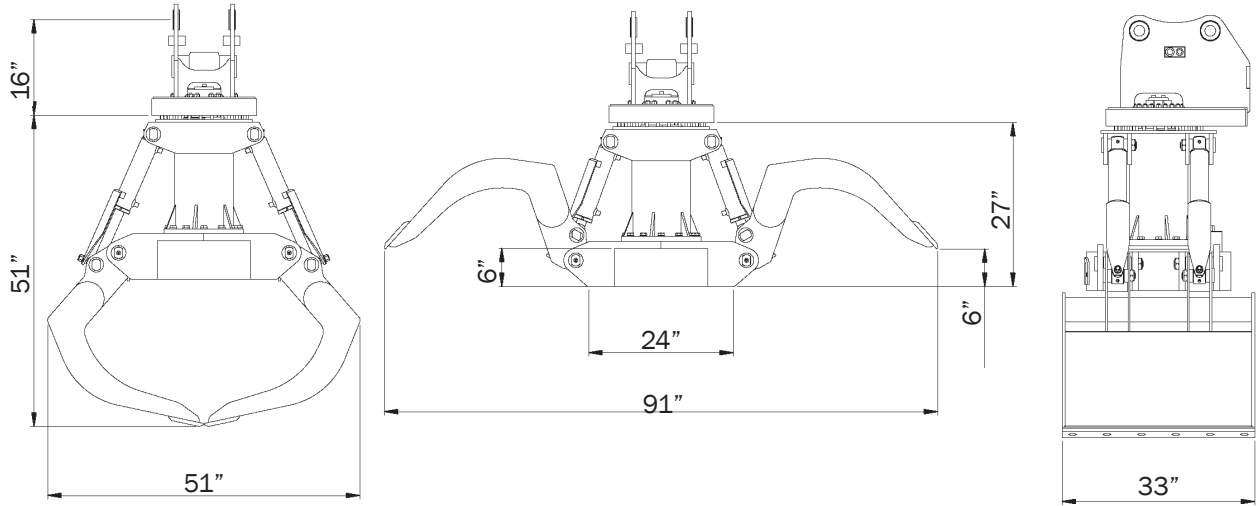
Waste Handling Magnet Grapples


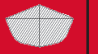
Multi-purpose tool for wood, construction & demolition, recycling, landfill & transfer station applications. Optimizes the task of picking and sorting ferrous materials. Minimizes man and equipment hours needed for each job. Heavy-duty rotator with oversized slew-ring. No generator is needed because the Waste Handling Magnet Grapple runs off the 24V battery of the vehicle.



- 24", 24V Magnet
- 1/2 cubic yard
- HARDOX Certified Steel
- No Generator Needed
- 24-Month Warranty

Waste Handling Magnet Grapples (Con't)



MODEL	CAPACITY		WEIGHT	CYLINDERS	LOAD CAPACITY	FORCE	PRESSURE
	YD ³ 	YD ³ 	LBS	N	TONS	TONS	PSI
MBV 30 EL	0.39	0.52	2160	4	4.41	2.2	4046