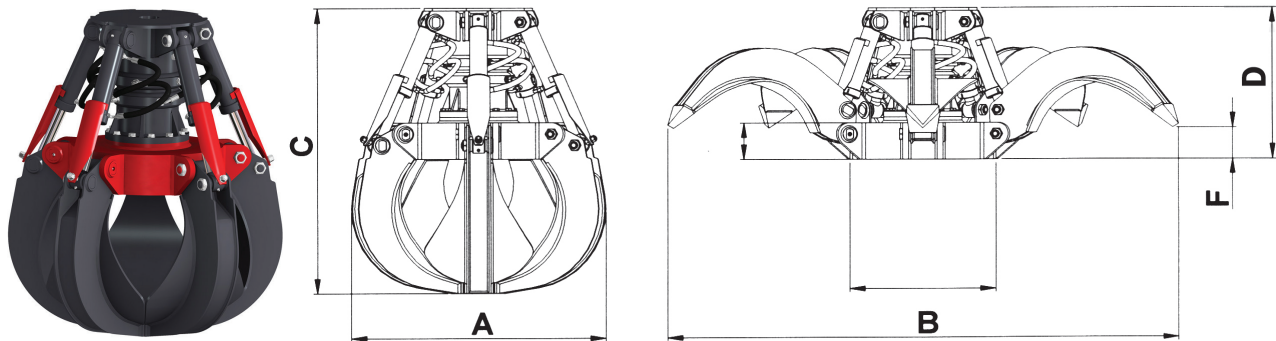


Magnet Grapples 2-in-1

Eliminates the time consuming need to switch attachments & move machines.

Moley Magnet Grapples are a multi-purpose tool that are built to provide 100% handling efficiency for all incoming and outgoing material with the ferrous metal sorting capabilities of a magnet. No generator is needed with the Moley 24-V Magnet Grapple because it runs off of a 24-Volt battery. Designed with greater strength to survive tamping and packing loads and to withstand the extra load of the integrated magnet, the Moley Magnet Grapple increases productivity in operations requiring both a magnet and a grapple.

Moley 24-V Magnet Grapple

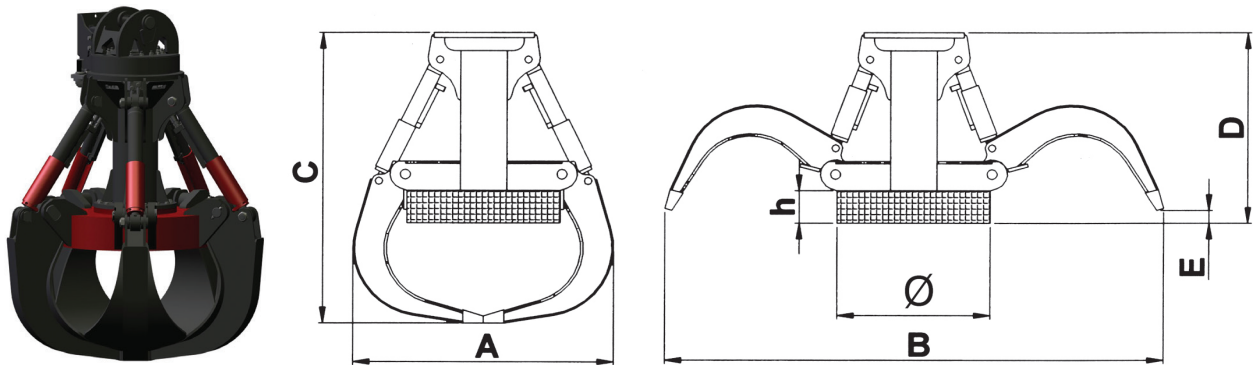


MODEL	CAPACITY	WEIGHT	TEETH/WEIGHT	MAGNET	SIZES (in.)					VOLT	WATT	EXCAVATOR
	CUBIC YDS	LBS.	N	SIZE	A	B	C	D	F	V	W	TONS
MPV P 250/5 Magnet Grapple	0.32	1,366	5	23 x 6 h	43	85	47	26	4	24	500	9-15
MPV P 300/5 Magnet Grapple	0.39	1,433	5	23 x 6 h	44	89	79	26	6	24	500	9-15
MPV P 450/5 Magnet Grapple	0.59	1,763	5	23 x 6 h	50	97	53	26	6	24	500	15-22

Magnet Grapples 2-in-1 (Con't)

Switch the magnet power on as needed to aid in boosting the lifting capacity. Moley 230-V Magnet Grapples combine the tines of a standard orange-peel grapple with the capability of a round lifting magnet. The operator can use the magnet to clean up an area, and use the grapple to increase the lifting capacity and hold scrap while de-energizing the magnet, thus saving on magnet wear and tear. In order to operate the hybrid attachment, the Moley 230-V Magnet Grapple does need a generator and controller. Moley Magnetics, Inc. provides several different customized solutions. So, contact us today!

Moley 230-V Magnet Grapple



MODEL	CAPACITY	WEIGHT	TEETH/WEIGHT	MAGNET	SIZES (in.)					VOLT	WATT	EXCAVATOR
	CUBIC YDS	LBS.	N	SIZE	A	B	C	D	E	V	KW	TONS
MPV FH EL 450/4 Magnet Grapple	0.59	3,086	4	31 x 8 h	54	100	67	40	3	230	3.0	26-33
MPV FH EL 450/5 Magnet Grapple	0.59	3,196	5	31 x 8 h	54	100	67	40	3	230	3.0	26-33
MPV FH EL 550/4 Magnet Grapple	0.72	3,263	4	31 x 8 h	54	105	69	40	4	230	3.0	26-33
MPV FH EL 550/5 Magnet Grapple	0.72	3,418	5	31 x 8 h	54	105	69	40	4	230	3.0	26-33
MPV FH EL 700/4 Magnet Grapple	0.92	4,189	4	35 x 10 h	62	115	71	38	4	230	4.5	28-50
MPV FH EL 700/5 Magnet Grapple	0.92	4,519	5	35 x 10 h	62	115	71	38	4	230	4.5	28-50
MPV FH EL 800/4 Magnet Grapple	1.04	4,851	4	40 x 10 h	65	119	70	43	4	230	5.5	31-50
MPV FH EL 800/5 Magnet Grapple	1.04	5,181	5	40 x 10 h	65	119	70	43	4	230	5.5	31-50
MPV FH EL 1000/4 Magnet Grapple	1.30	5,071	4	40 x 10 h	69	131	76	43	6	230	5.5	33-50
MPV FH EL 1000/5 Magnet Grapple	1.30	5,512	5	40 x 10 h	69	131	76	43	6	230	5.5	33-50
MPV FH EL 1200/4 Magnet Grapple	1.60	5,357	4	40 x 10 h	73	151	78	43	9	230	5.5	33-50
MPV FH EL 1200/5 Magnet Grapple	1.60	5,732	5	40 x 10 h	73	151	78	43	9	230	5.5	33-50
MPV FH EL 1500/4 Magnet Grapple	2.00	7,385	4	50 x 10 h	80	168	83	49	6	230	8.0	36-55
MPV FH EL 1500/5 Magnet Grapple	2.00	7,826	5	50 x 10 h	80	168	83	49	6	230	8.0	36-55