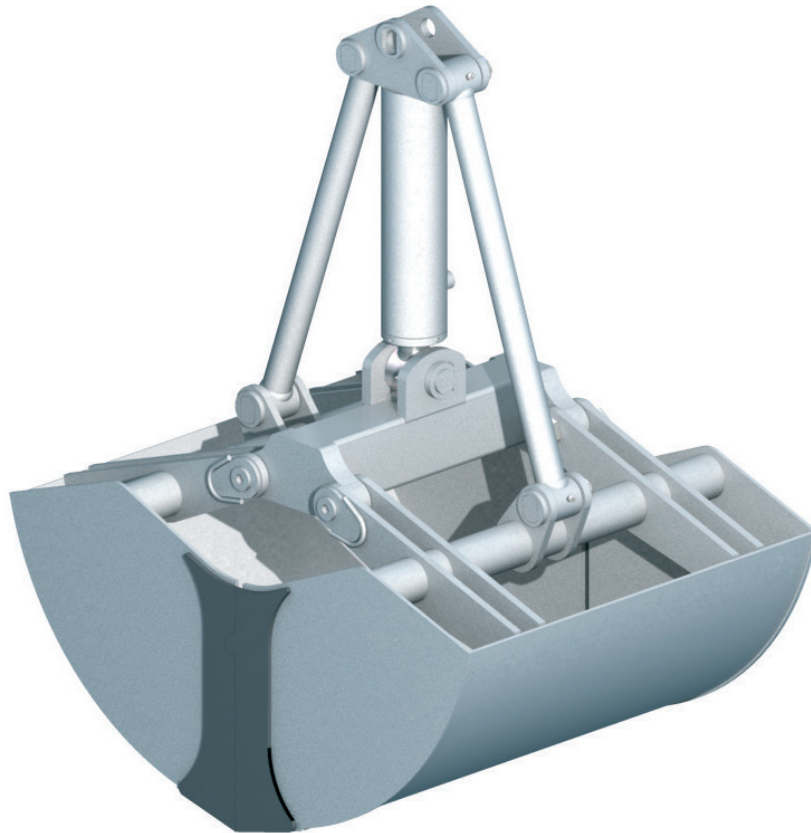


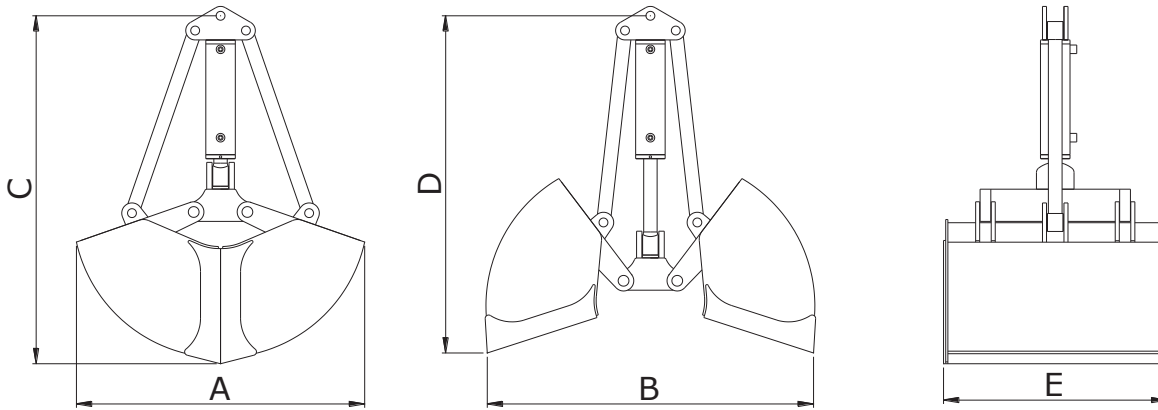
## Railroad Bed Preparing (RBP) Buckets

RBP Buckets are compact size and are ideal for maintenance or to clear ditches. They are also great for small excavations, removal of soil and they create proper seating for ties (wood or concrete). All Railroad Bed Preparing Buckets can be equipped with hydraulic rotor continuous 360°.



- 24-Month Warranty
- Compact Unit (12" W & 39" W)
- Safety Holding Valve
- Hardened Shaft
- Wear Resistant Blade
- Hardox 400 Construction
- 360° Rotation Available

## Railroad Bed Preparing Buckets (RBP) (Con't)



MODEL	CAPACITY	WEIGHT	TEETH	CYLINDERS	SIZES (in.)				
	YD <sup>3</sup>	LBS	N	N	A	B	C	D	E
RBPB 1	0.156	463	3	1	42	48	51	49	12
RBPB 2	0.326	551	3	1	42	48	51	49	24
RBPB 3	0.418	617	3	1	42	48	51	49	33
RBPB 4	0.523	728	7	1	42	48	51	49	39

MODEL	LOAD CAPACITY	FORCE	PRESSURE		REC OIL FLOW		TEMPS		MACHINE	TRUCK CRANE
	TONS	TONS	PSI		G/MIN		SEC		TONS	TONS
			CLOSE	OPEN	CLOSE	OPEN	CLOSE	OPEN		
RBPB 1	2.2	2.3	3,625	3,625	18	18	1.5	1	8-13	7-11
RBPB 2	2.2	2.3	3,625	3,625	18	18	1.5	1	8-13	7-11
RBPB 3	2.2	2.3	3,625	3,625	18	18	1.5	1	8-13	7-11
RBPB 4	2.2	2.3	3,625	3,625	18	18	1.5	1	8-13	7-11